



# Meet Avior

- ✓ Easy to set up with three base configurations
- ✓ Fine tune and customise key features and settings
- ✓ Connecting Prosthetists and Physios for better outcomes
- ✓ Aids rehabilitation in between clinic sessions
- ✓ Easily adaptable to the wearers needs
- ✓ Designed for today, ready for tomorrow

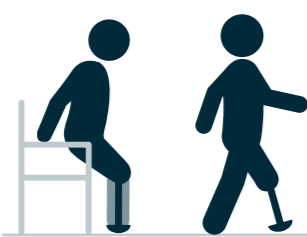
No servicing required for the first 3 years.



## Base Configurations

### LOCK-LOCK

Locked in stance and in swing phase



The **LOCK-LOCK** Base Configuration is ideal for someone new to or building confidence with a prosthesis. It keeps the knee locked while walking or standing for maximum security but allows controlled sitting. The optional stance flexion function provides shock absorption at heel strike, and cushioning on every step. The wearer will feel more confident walking down slopes without the sensation of falling forward or "vaulting" over their leg.

- Often used as the initial setting during rehabilitation to help build wearer confidence
- Allows wearer basic mobility and confidence knowing that the limb will not flex or collapse

Stance Flexion

Adjust to 0°, 5° or 10°

Swing Extension Control

N/A

Standing Support

By Default - already Locked in Stance

Dynamic Slope and Stairs Descent

N/A

Supported Standing

Ratchet function (lock)

Supported Sit to Stand

Adjustable Yield Resistance

Stumble Recovery

N/A

Donning Mode

Yes

Wheelchair Mode

Yes

### LOCK-FREE

Locked in stance and free in swing phase



As the wearer grows in confidence the Base Configuration can be adjusted to **LOCK-FREE**, keeping the limb locked in stance but free in swing. This allows for a more natural gait, maintains stability and prevents buckling. Stumble recovery is active, providing safety and confidence if there is a stumble. The Swing Extension Control feature is available in this configuration and regulates the swing speed enabling a smooth, full leg extension after heel rise and offers adjustable speed to match the wearer's needs. The optional stance flexion function provides shock absorption at heel strike, and cushioning on every step.

- Helps wearer improve their gait and confidence in walking
- Provides the wearer with optimal stability by remaining locked during stance and free during swing

Stance Flexion

Adjust to 0°, 5° or 10°

Swing Extension Control

Select FAST or NORMAL

Standing Support

By Default - already Locked in Stance

Dynamic Slope and Stairs Descent

N/A

Supported Standing

Ratchet function (lock)

Supported Sit to Stand

Adjustable Yield Resistance

Stumble Recovery

Yes

Donning Mode

Yes

Wheelchair Mode

Yes

### YIELD-FREE

Yields in stance phase, free in swing phase



The **YIELD-FREE** Base Configuration is adopted when the wearer can confidently control their prosthesis in both stance and swing. This configuration further improves their gait. Stumble recovery is active in this configuration also giving patients safety and confidence if there is a stumble. The Dynamic Slope and Stair Descent Feature allows wearers to safely and smoothly navigate stairs and slopes.

- Walking step-over-step down slopes and stairs
- Promotes a more natural gait cycle, reducing excessive forces on the sound limb and improving comfort
- Stumble recovery increases safety minimising injury from trips and falls

Stance Flexion

N/A

Swing Extension Control

Select FAST or NORMAL

Standing Support

Knee flexion between 0° - 30°

Adjustable timing: Normal/Low/Very Low

Dynamic Slope and Stairs Descent

Adjustable Yield Resistance

Supported Standing

Ratchet function (lock)

Supported Sit to Stand

Adjustable Yield Resistance

Stumble Recovery

Yes

Donning Mode

Yes

Wheelchair Mode

Yes

## Made to Complement



Avalon<sup>K2</sup>



Esprit



Epirus



Navigator

## Indications and Contra-indications

### Indications:

- User bodyweight up to and including 125kg.
- Users who require a prosthetic knee as part of their limb system.
  - This includes users with amputations at the following levels; through knee, above knee or hip disarticulation as well as dysmelia patients with residual limb characteristics corresponding to the previously mentioned amputation sites.
- Unilateral or bilateral requirement.

### Contra-indications:

- Body weight over 125kg.

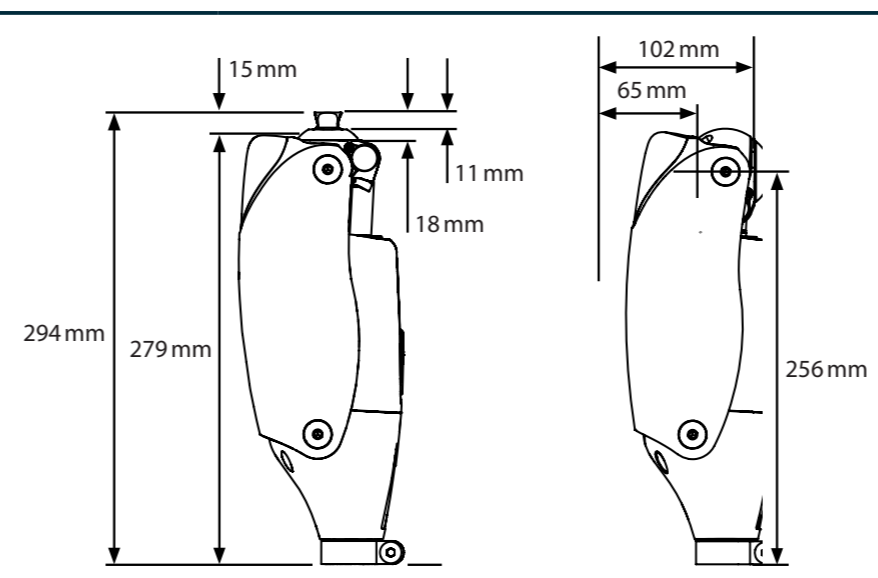
### Wearer Criteria

Minimum Wearer Weight	44kg 97lb 6st 9lbs
Maximum Wearer Weight	125kg 275lb 19st 6lbs
Minimum Wearer Height	150cm 4ft 11"
Activity Level	Predominately K2
Amputation Level	Knee disarticulation and above

## Technical Information

Activity Level	Predominately K2
Colour	Black
Weight	1.39kg/3lbs 1oz
Build Height	294mm
Proximal Adapter	Fixed Pyramid or M36 Thread
Proximal Alignment Attachment	Male Pyramid (Blatchford)
Distal Alignment Attachment	Ø 30mm Tube clamp connector
Knee Flexion Angle	Max. 130 degrees
IP Rating	IP65
Charging Time	From flat to full charge; Typical 4 hours - Maximum 6 hours
Battery Life	2 days normal use
Charger Type	Magnetic USB A
Device Connectivity	Bluetooth®
Programming App	Android and iOS Blatchford app enabled

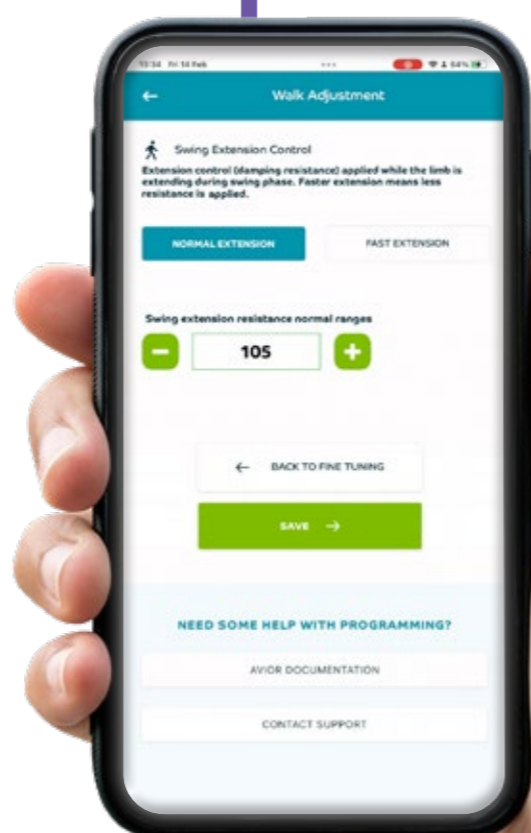
### Build Height



Ordering Information	Part Number	Description
	AVIOR	Avior MPK
	Avior Package 1	Avior + Avalon or Esprit Foot Package
	Avior Package 2	Avior + Navigator or Esprit Foot Package

Accessories	Part Number	Description
	B-0001511	Avior Knee Pad Kit
	B-0001512	Avior Protective Cover
	B-0001513	M36 Adapter Kit
	B-0001514	Flexion Stop Kit
	B-0001515	Clinicians Tool Kit
	B-0001516	USB Charger Cable
	B-0001517	USB Wall Charger With Interchangeable Plug
	B-0001518	Clamp Kit
	B-0001519	Distal Cover Kit
	B-0001507	Avior Accessories Kit (UK)
	B-0001508	Avior Accessories Kit (USA)
	B-0001509	Avior Accessories Kit (EU)
	B-0001510	Avior Accessories Kit (AUS)
	B-0001536	Avior Accessories Kit (Universal)
	AVIOR - WARRANTY 6 YEAR (3+3)	Avior 6 Year Warranty

Warranty Information	Standard Warranty Period - 36 months included.
	Extended 3-year warranty - Available to purchase. Must be purchased within first 12 months.
	Full service will be required between 30-36 months if extended warranty purchased.



Fine-tune and customise key features in our new Blatchford app



Find our more about Avior  
blatchfordmobility.com

Blatchford  
Mobility Made Possible